

FENNEL

Lead by Innovation



Design Registered

Fennel UK

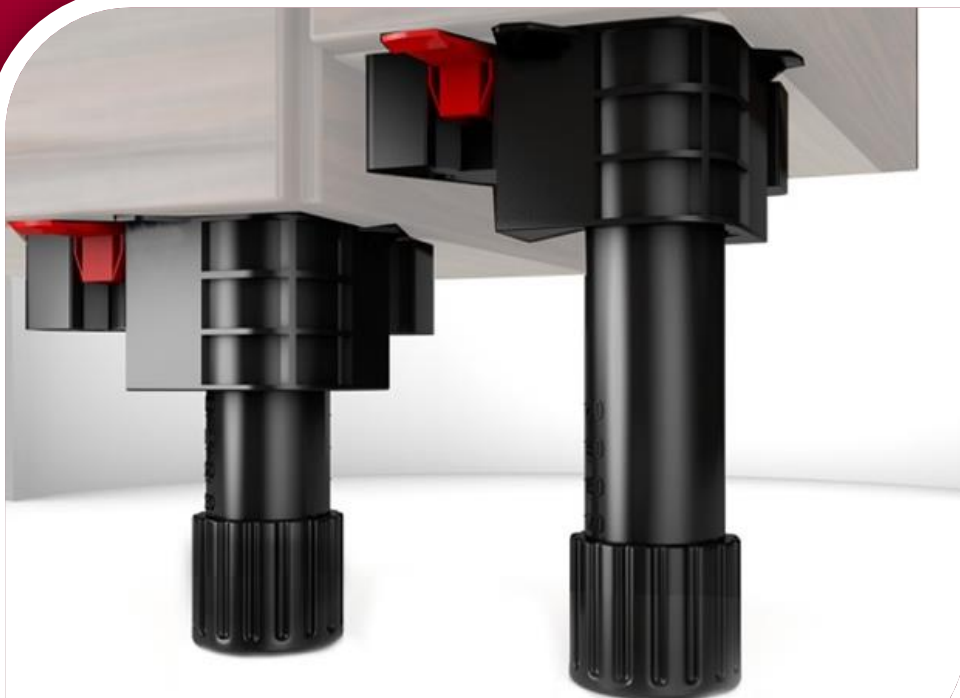
The 'Samson' Folding Cabinet Leg



Made in Britain...

... supporting cabinets worldwide

www.fenneluk.com



Design Registered

Unique Height Adjustable Folding Design

Standard & taller leg lengths

FIRA tested in excess of 750kg

Standard 90-165mm

Screw fix option: 40.2014.0001

Dowel fix option: 40.2014.0002

Taller 140-210mm

Screw fix option: 40.2014.0006

Dowel fix option: 40.2014.0007

Reduces costs, Adds Value

- ❖ **UNIQUE!** – the only fully tested and FIRA certified folding leg
- ❖ **NEW!**- innovative retaining pin – leg stays folded in transit
- ❖ **NEW!** - easy glide adaptor - round edge profile minimises drag resistance
- ❖ **NEW!** - additional height indicators – 10mm spacing guides
- ❖ **NEW!** - expanding dowel centre post – greater core strength
- ❖ **IMPROVED** - height range – one size leg fits most applications
- ❖ **IMPROVED** - end panel supports – stronger, no plinth notching required
- ❖ **IMPROVED** - screw cavity design – increases screw fit stability
- ❖ **IMPROVED** – Screw fix leg has access hole point for height adjustment from inside of cabinet.
- ❖ **GREATER!** - HIP material content – stronger product



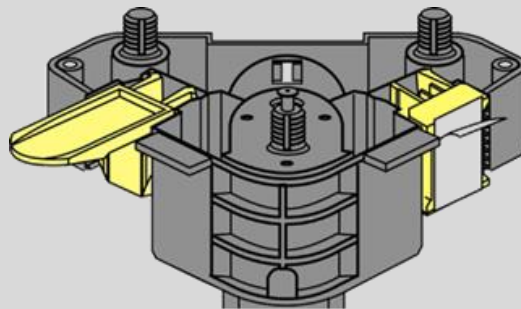
Design Registered

Base Adaptor Configuration

Supplied ready assembled for screw or dowel fix

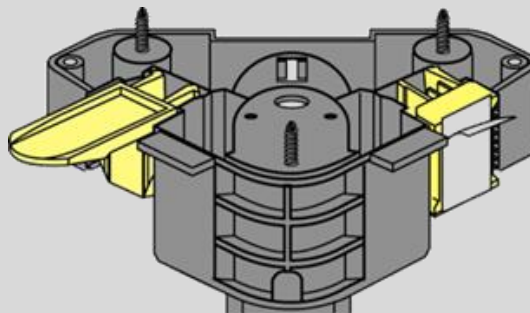
❖ Dowel Fit

- ❖ 1 x 12mm centre – unique expanding grip
- ❖ 2 x 10mm outer – fluted profile

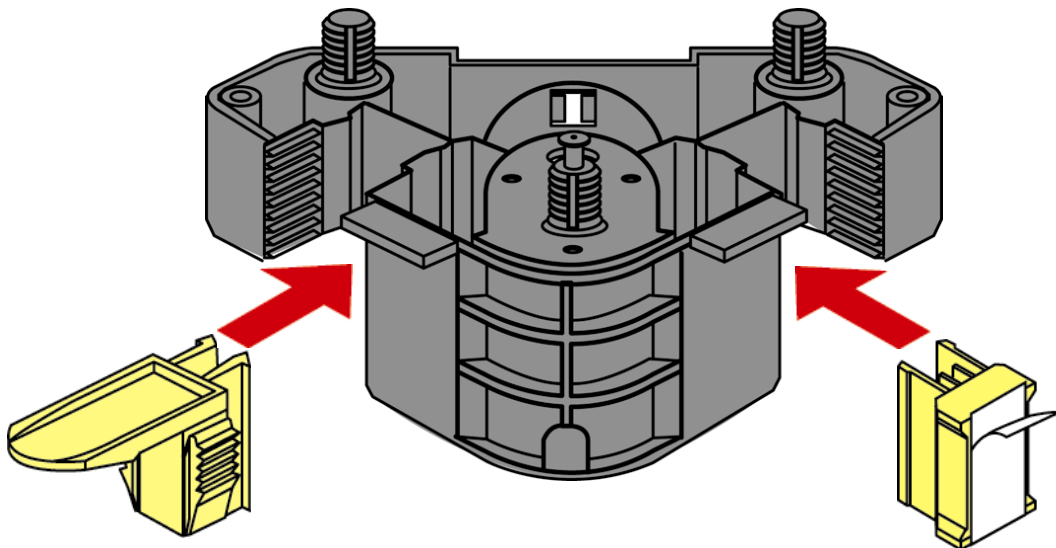


❖ Screw Fit

- ❖ 1 x 4mm dia x 16mm CS centre screw
- ❖ 2 x 4mm dia x 30mm CS outer screw



Our unique 'rapid fit' plinth clips



Plinth
Pressure Clip
Item Code
40.2014.0004

Self Adhesive
Clip
Item Code
40.2014.0005

Design Registered

Save time and money with our improved plinth friendly design

Our range of plinth clips

Save time and money with our improved plinth friendly design

Our unique 'rapid fit' plinth clips



Plinth Pressure Clip

- Provides stability and tight fit, especially on uneven surfaces
- Adjustable and self-locking, no screw fixing or measuring necessary
- Fitted in minutes, can reduce fitting time by an hour



Self Adhesive Clip

- Clips into leg adaptor for quick, precise fixing of return plinth profile
- Plinth contact with adhesive tape ensures exact positioning
- Final screw fix to plinth maximises hold

Industry standard clip



Leg Mounting Clip

- Industry standard clip to meet requirements of more traditional users

Let 'Samson' support your cabinets!

To obtain your free sample simply email sales@fenneluk.com with your contact details, company name and address, specifying:

- Your preference for a dowel and/or screw fix sample
 - Standard and/or tall leg

Please visit our website www.fenneluk.com where you will find more information including fitting guidelines, drill templates and details of our other products.

If you would like to speak to a member of our team please call us on 01282 871806



Innovative Design Engineering

Fennel UK Ltd
Samson House
10 Holme Road
Burnley
Lancashire
BB12 0BJ



Tel: +44 (0)1282 871806



Email: sales@fenneluk.com

'Samson'
Supporting
cabinets
everywhere

